

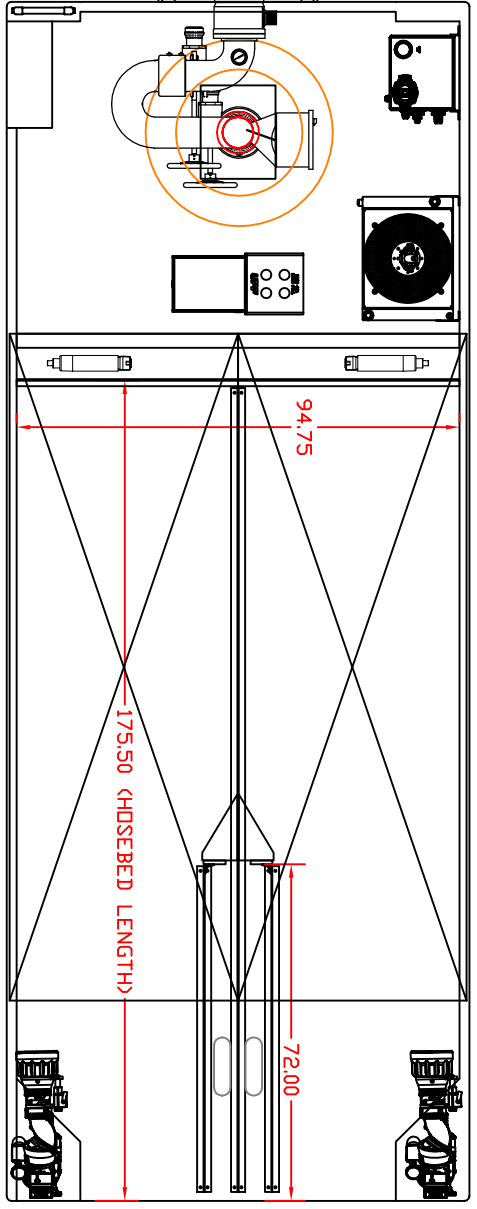
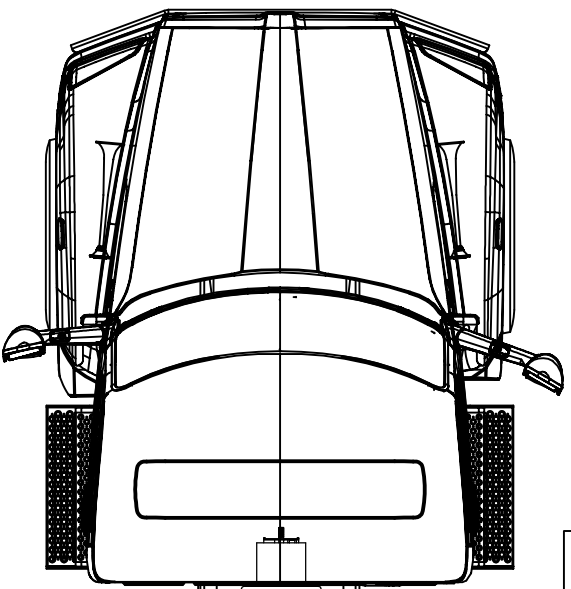
**CUSTOMER ACCEPTANCE**

**NAME:** \_\_\_\_\_

**TITLE:** \_\_\_\_\_

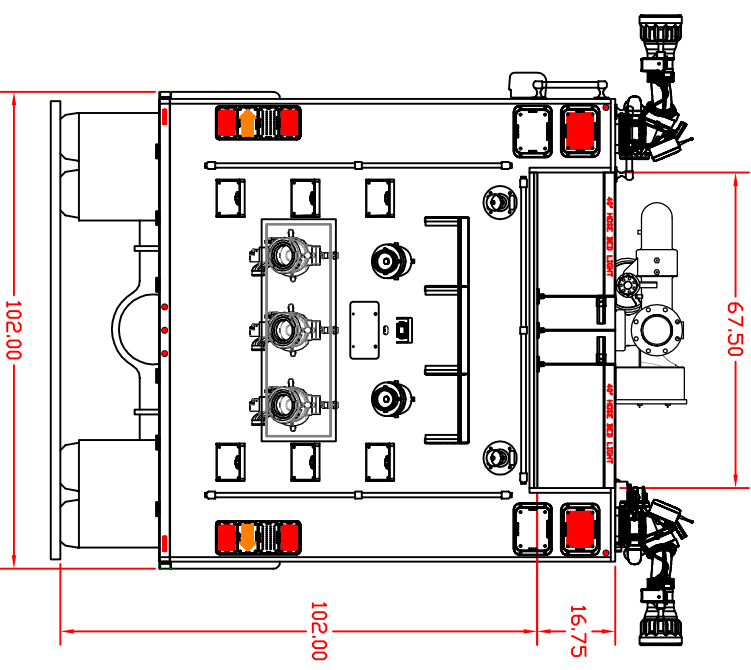
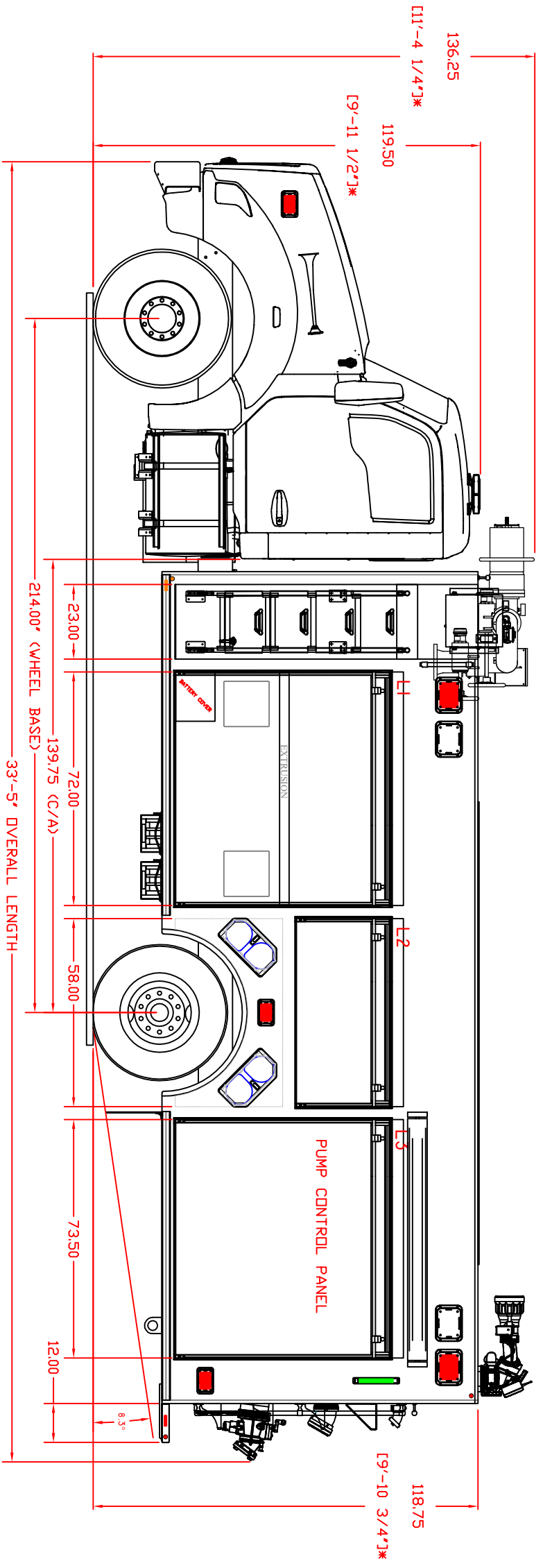
**DATE:** \_\_\_\_\_

THIS DRAWING IS FOR VISUAL REFERENCE ONLY. THE SPECIFICATIONS SHALL PREVAIL OVER THE DRAWING FOR ANY DISCREPANCIES BETWEEN THE DRAWING AND SPECIFICATIONS. NOT ALL DETAILS ARE NOTED OR SHOWN.



	INTERIOR	OPENING
L1	72.00W X 70.25H X 15/28D	70.00W X 60.875H
L2	58.00W X 33.00H X 15D	56.00W X 23.625H
L3	73.50W X 70.25H X PUMP PANEL	71.50W X 60.875H
R1	47.50W X 70.25H X 15/28D	45.50W X 60.875H
R2	47.50W X 70.25H X 15/28D	45.50W X 60.875H
R3	58.00W X 33.00H X 15D	56.00W X 23.625H
R4	73.50W X 70.25H X PUMP PANEL	71.50W X 60.875H

**JOB NO.: FT1027**  
**COMMERCIAL SUPER PUMPER FOAM UNIT**  
**3,000 GPM HALE 8RME PUMP**  
**1,400 GALLON FOAM TANK**



\*HEIGHT COULD VARY +/- .2" BASED ON LOADING OF VEHICLE