

JOB NO.: FT-1003
COMMERCIAL FOAM PUMPER
2,000 GALLON FOAM TANK

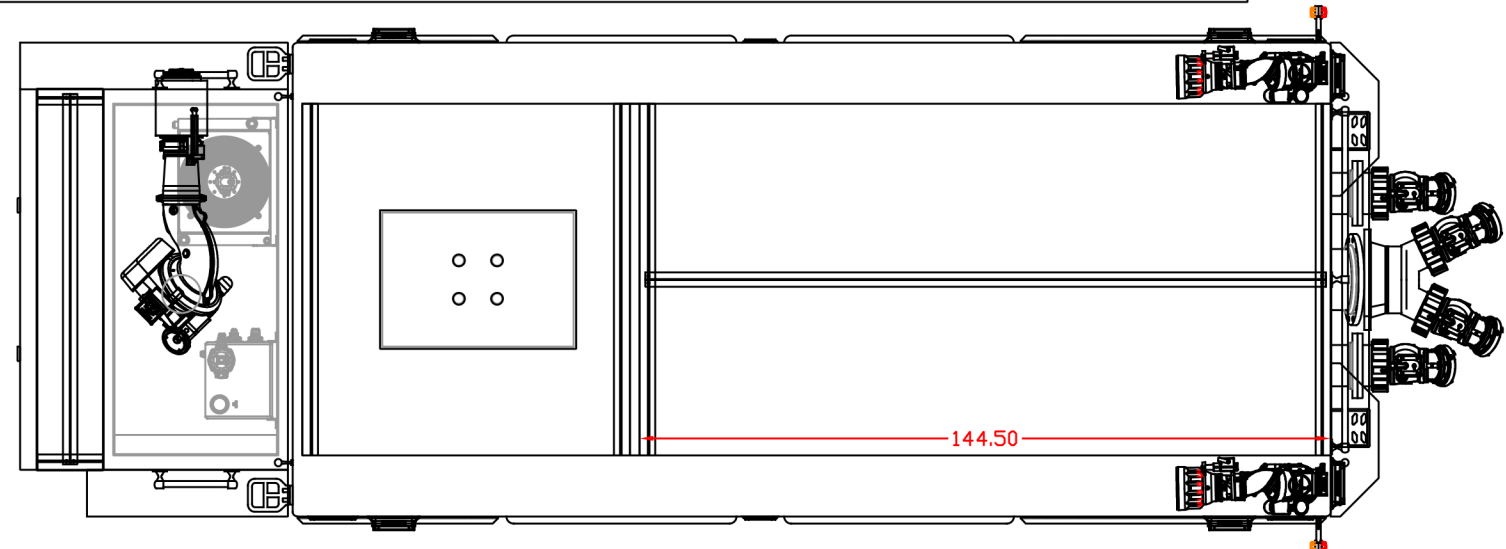
CUSTOMER ACCEPTANCE

NAME: _____

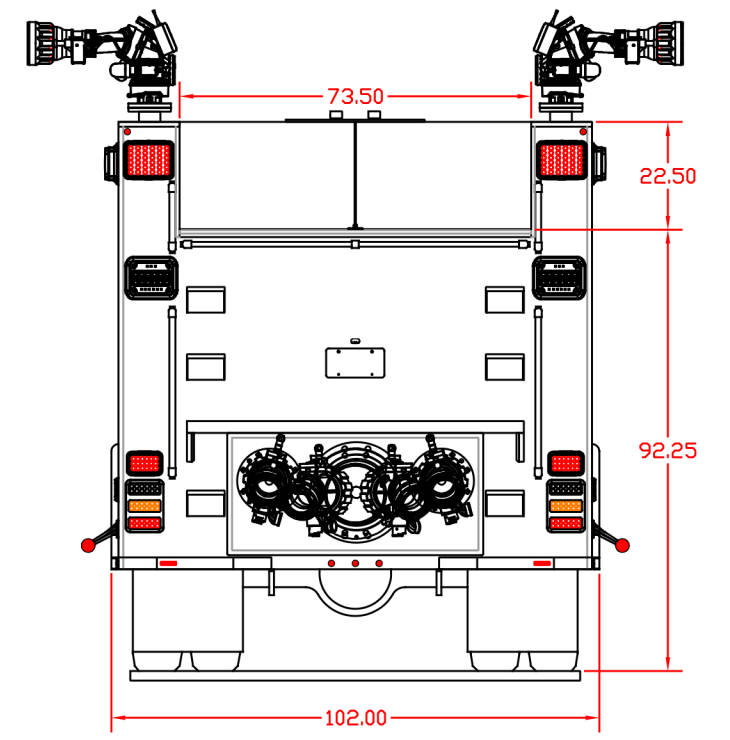
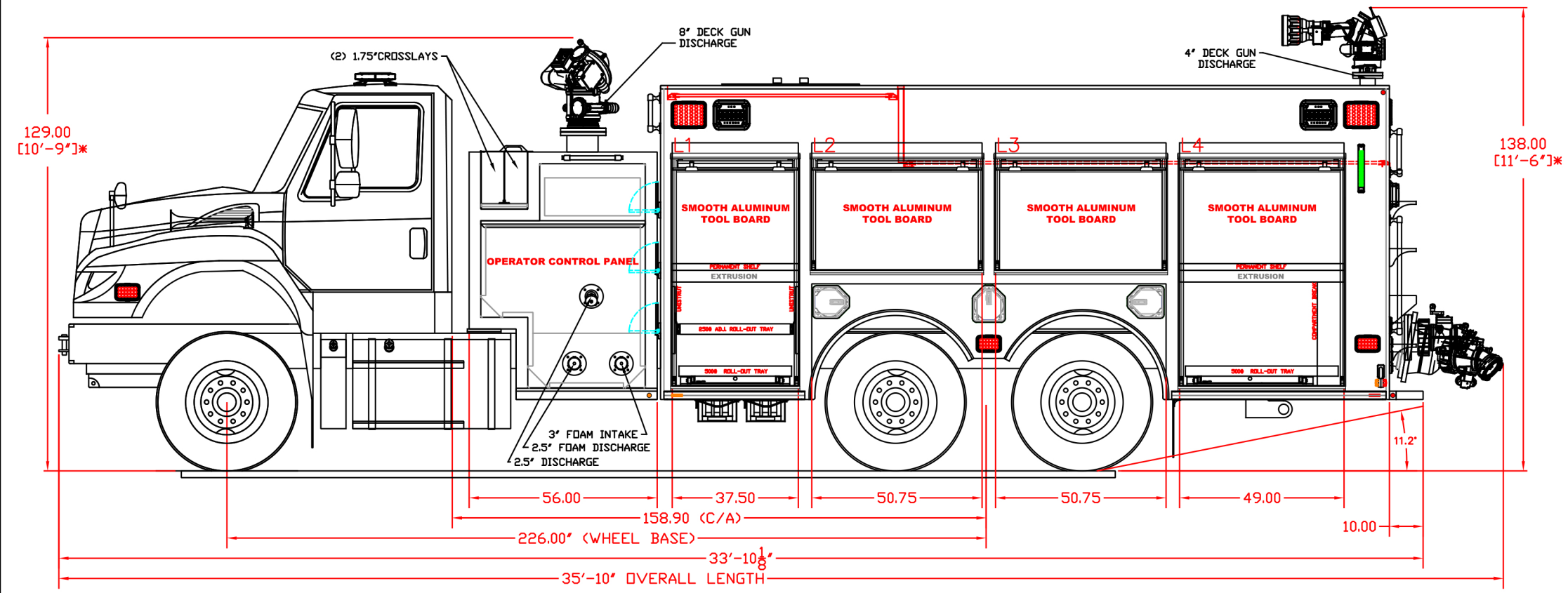
TITLE: _____

DATE: _____

THIS DRAWING IS FOR VISUAL REFERENCE ONLY. THE SPECIFICATIONS SHALL PREVAIL OVER THE DRAWING FOR ANY DISCREPANCIES BETWEEN THE DRAWING AND SPECIFICATIONS. NOT ALL DETAILS ARE NOTED OR SHOWN.



	INTERIOR	OPENING
L1	37.5W X 72H X 12/28D	35W X 63.25H
L2	50.75W X 37.75H X 12D	48.25W X 29H
L3	50.75W X 37.75H X 12D	48.25W X 29H
L4	49W X 72H X 12/26.75, 24.25D	46.5W X 63.25H
R1	37.5W X 72H X 12/28D	35W X 63.25H
R2	50.75W X 37.75H X 12D	48.25W X 29H
R3	50.75W X 37.75H X 12D	48.25W X 29H
R4	49W X 72H X 12/22.75D	46.5W X 63.25H



*LOADING OF VEHICLE COULD VARY HEIGHT BY +/- 2"