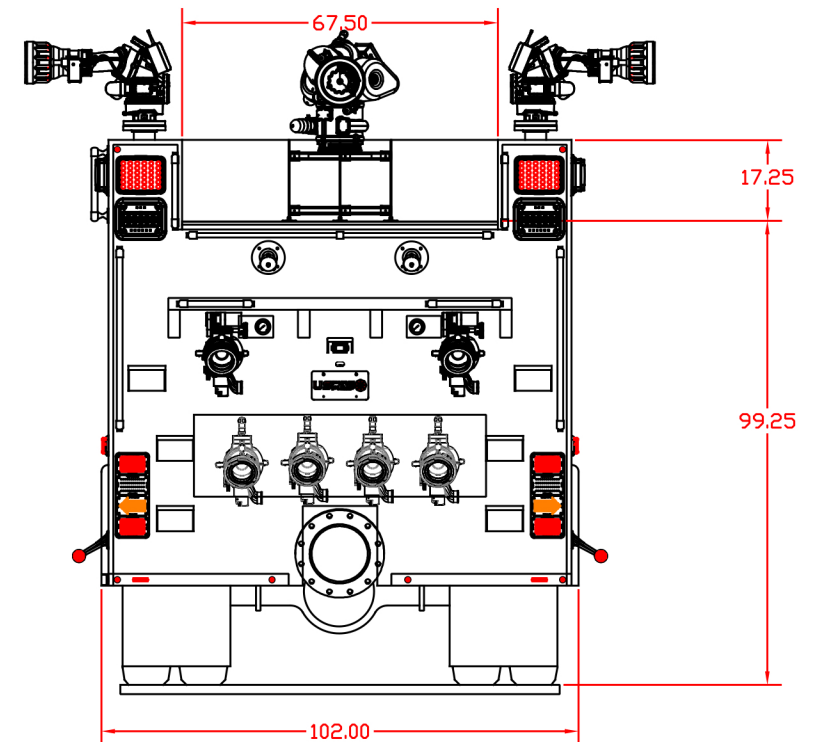
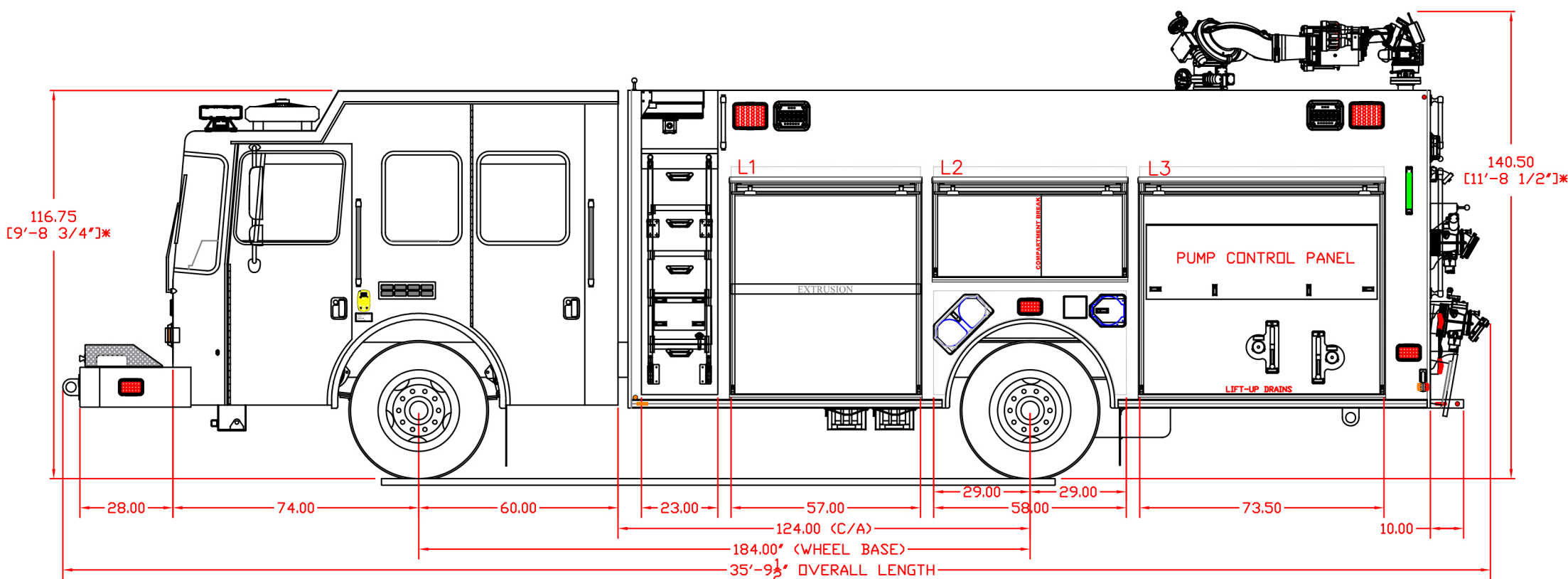
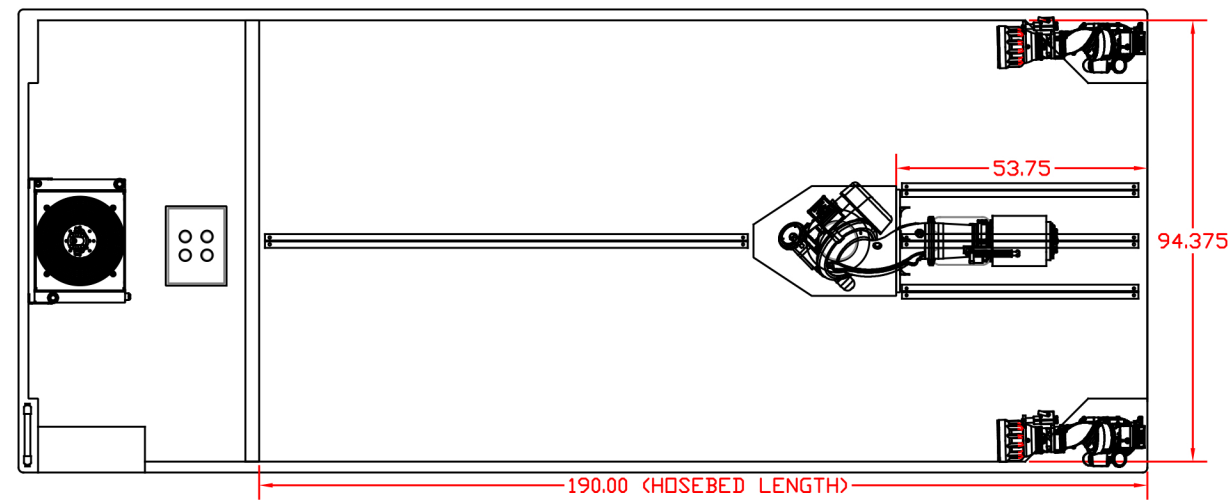


**JOB NO.: FT1004**  
**CUSTOM CHASSIS REAR-MOUNT PUMP**  
**6,000 GPM US FIRE PUMP**  
**1,000 GALLON FOAM TANK**  
**CUSTOMER ACCEPTANCE**

NAME: \_\_\_\_\_  
 TITLE: \_\_\_\_\_  
 DATE: \_\_\_\_\_

THIS DRAWING IS FOR VISUAL REFERENCE ONLY. THE SPECIFICATIONS SHALL PREVAIL OVER THE DRAWING FOR ANY DISCREPANCIES BETWEEN THE DRAWING AND SPECIFICATIONS. NOT ALL DETAILS ARE NOTED OR SHOWN.

	INTERIOR	OPENING
L1	57W X 68.25H X 15/28D	54.50W X 59.50H
L2	58W X 33H X 15D/TRANS.	55.50W X 24.25H
L3	73.50W X 68.25H X PUMP PANEL	71.00W X 59.50H
R1	40W X 68.25H X 15/28D	37.50W X 59.50H
R2	40W X 68.25H X 15/28D	37.50W X 59.50H
R3	58W X 33H X 15D/TRANS.	55.50W X 24.25H
R4	73.50W X 68.25H X PUMP PANEL	71.00W X 59.50H



\*HEIGHT COULD VARY +/- 2" BASED ON LOADING OF VEHICLE