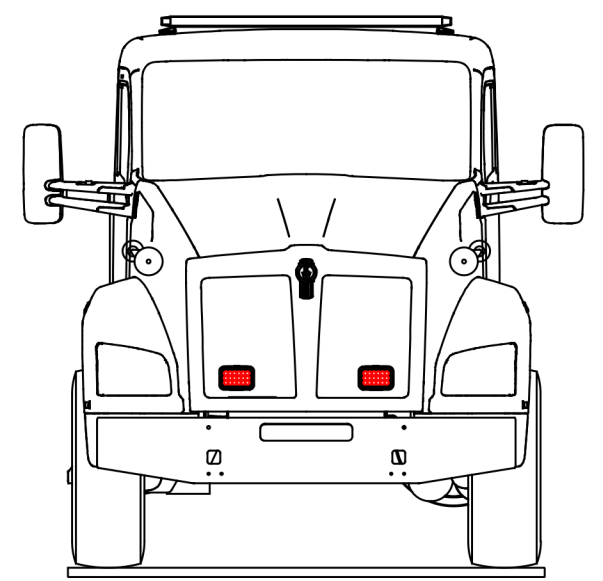
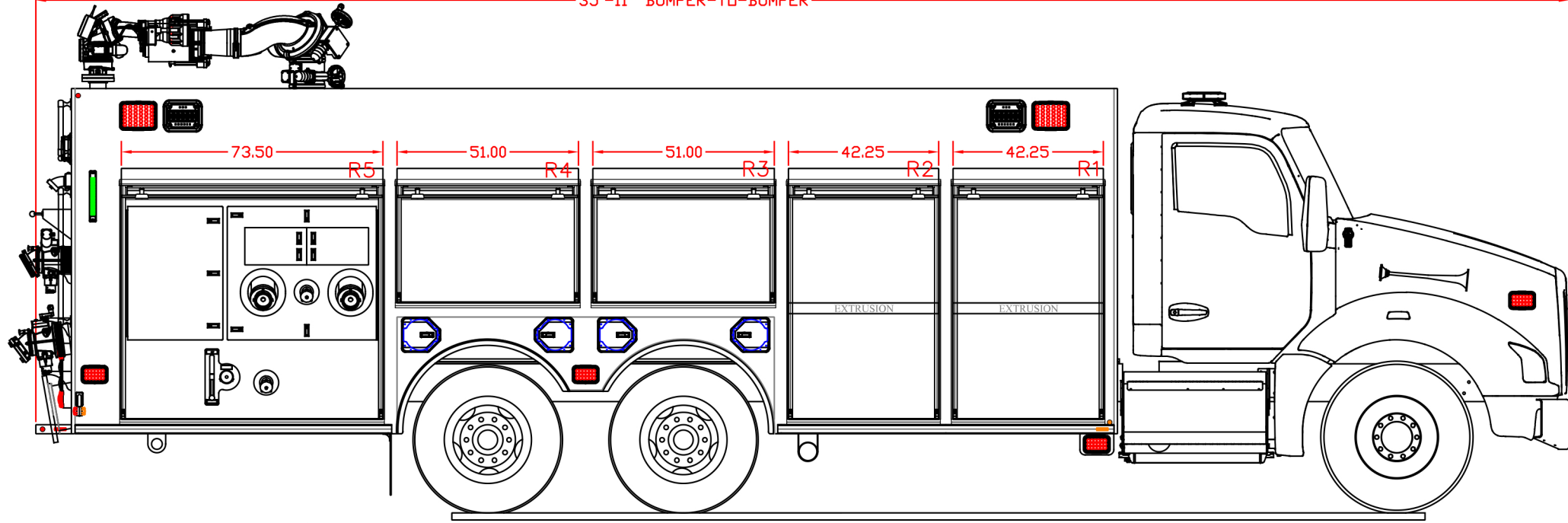
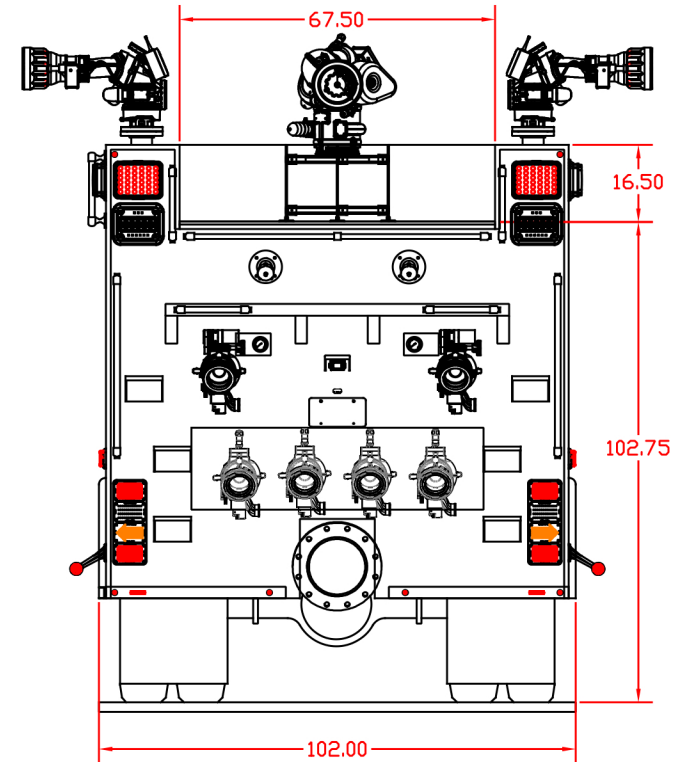
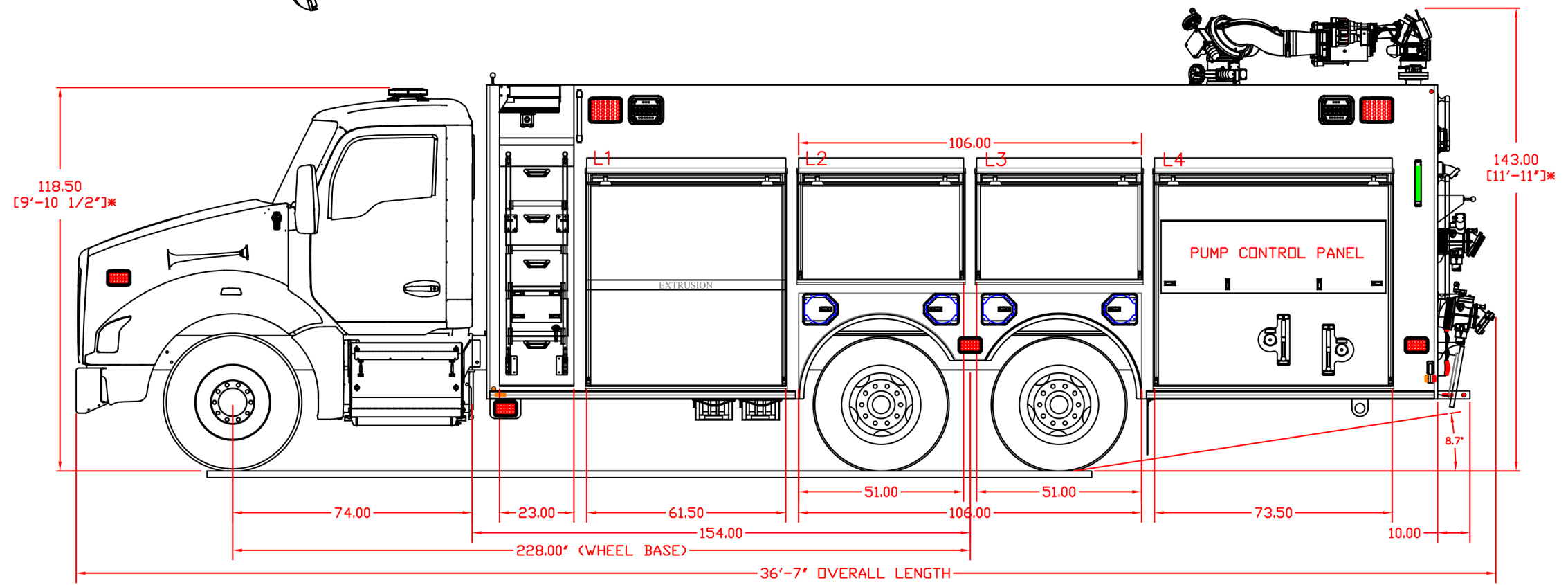
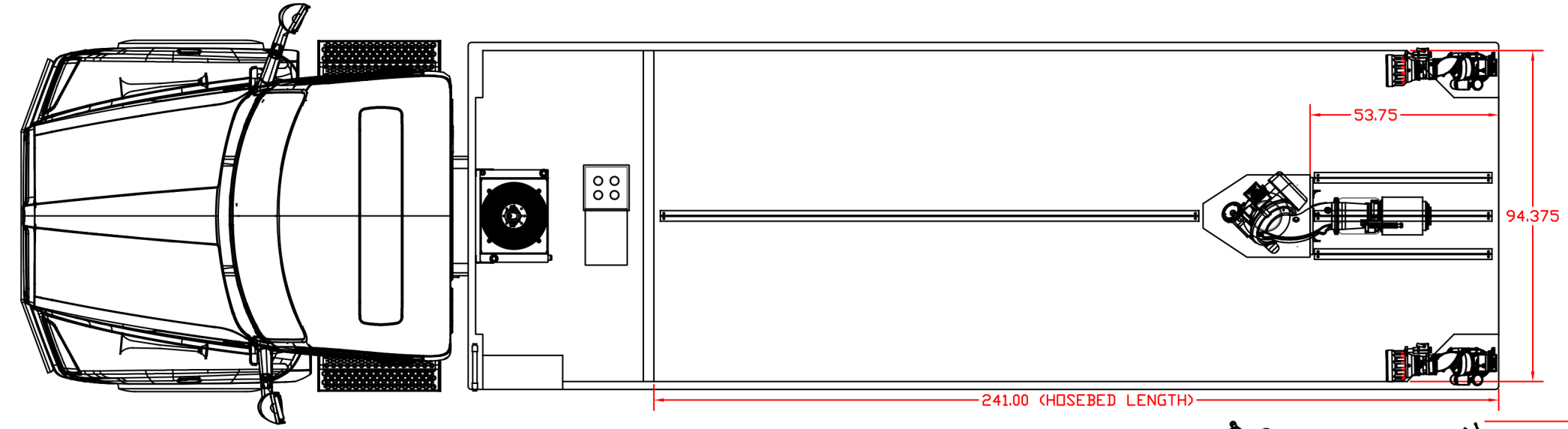


35'-11" BUMPER-TO-BUMPER



**JOB NO.: FT1008
COMMERCIAL SUPER PUMPER FOAM UNIT
6,000 GPM US FIRE PUMP
2,000 GALLON FOAM TANK**

| | INTERIOR | OPENING |
|-------|------------------------------|-----------------|
| L1 | 61.50W X 70.25H X 15/28D | 39.75W X 61.50H |
| L2/L3 | 51.00W X 37.50H X 15D | 48.50W X 28.75H |
| L4 | 73.50W X 70.25H X PUMP PANEL | 71.00W X 61.50H |
| R1 | 42.25W X 70.25H X 15/28D | 39.75W X 61.50H |
| R2 | 42.25W X 70.25H X 15/28D | 39.75W X 61.50H |
| R3/R4 | 51.00W X 37.50H X 15D | 48.50W X 28.75H |
| R5 | 73.50W X 70.25H X PUMP PANEL | 71.00W X 61.50H |



*HEIGHT COULD VARY +/- 2" BASED ON LOADING OF VEHICLE