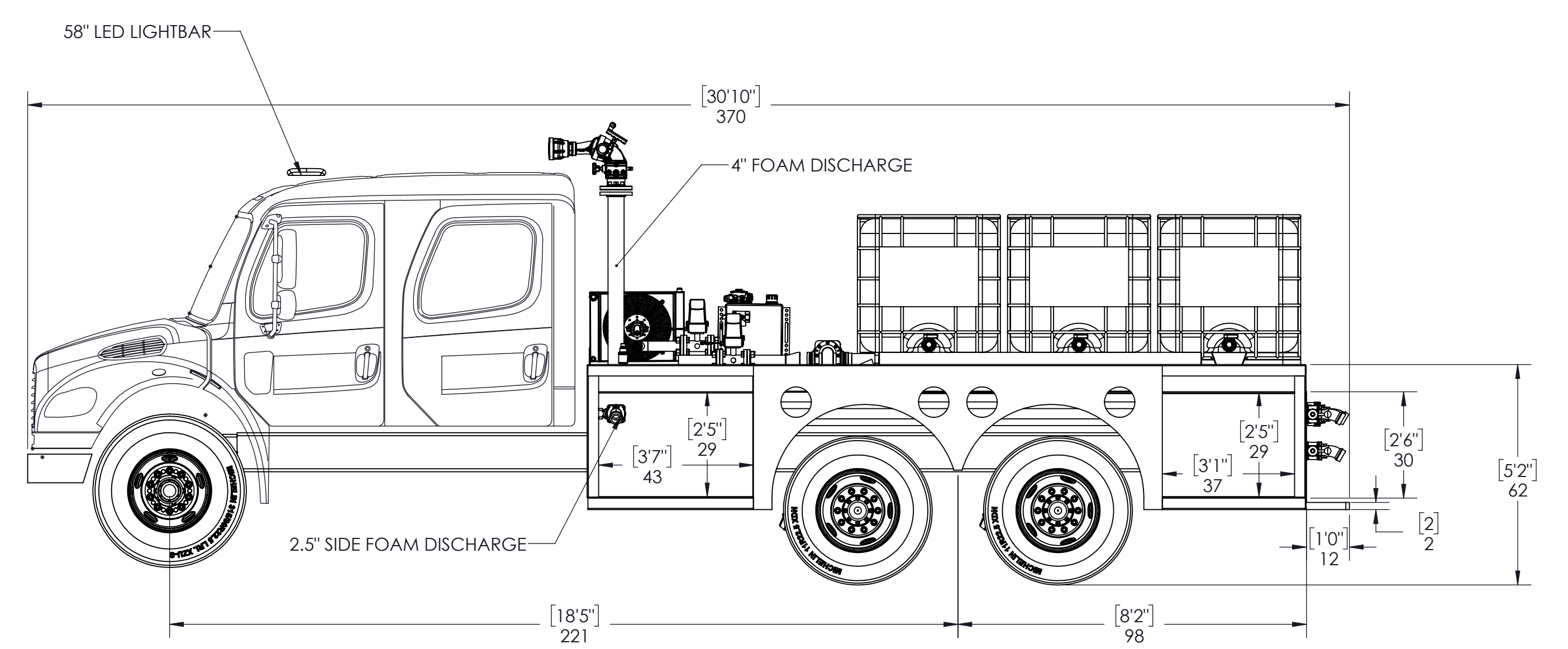
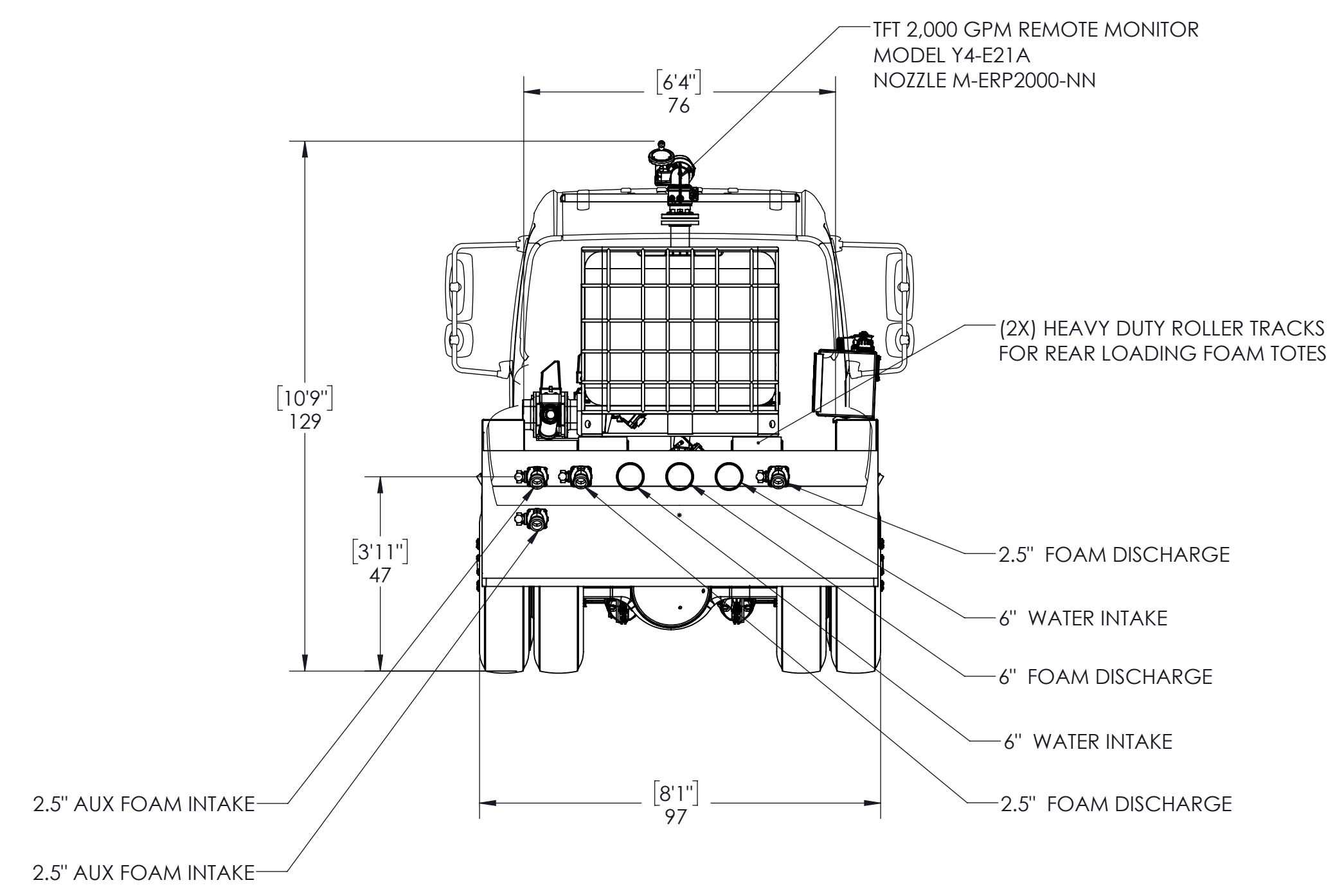
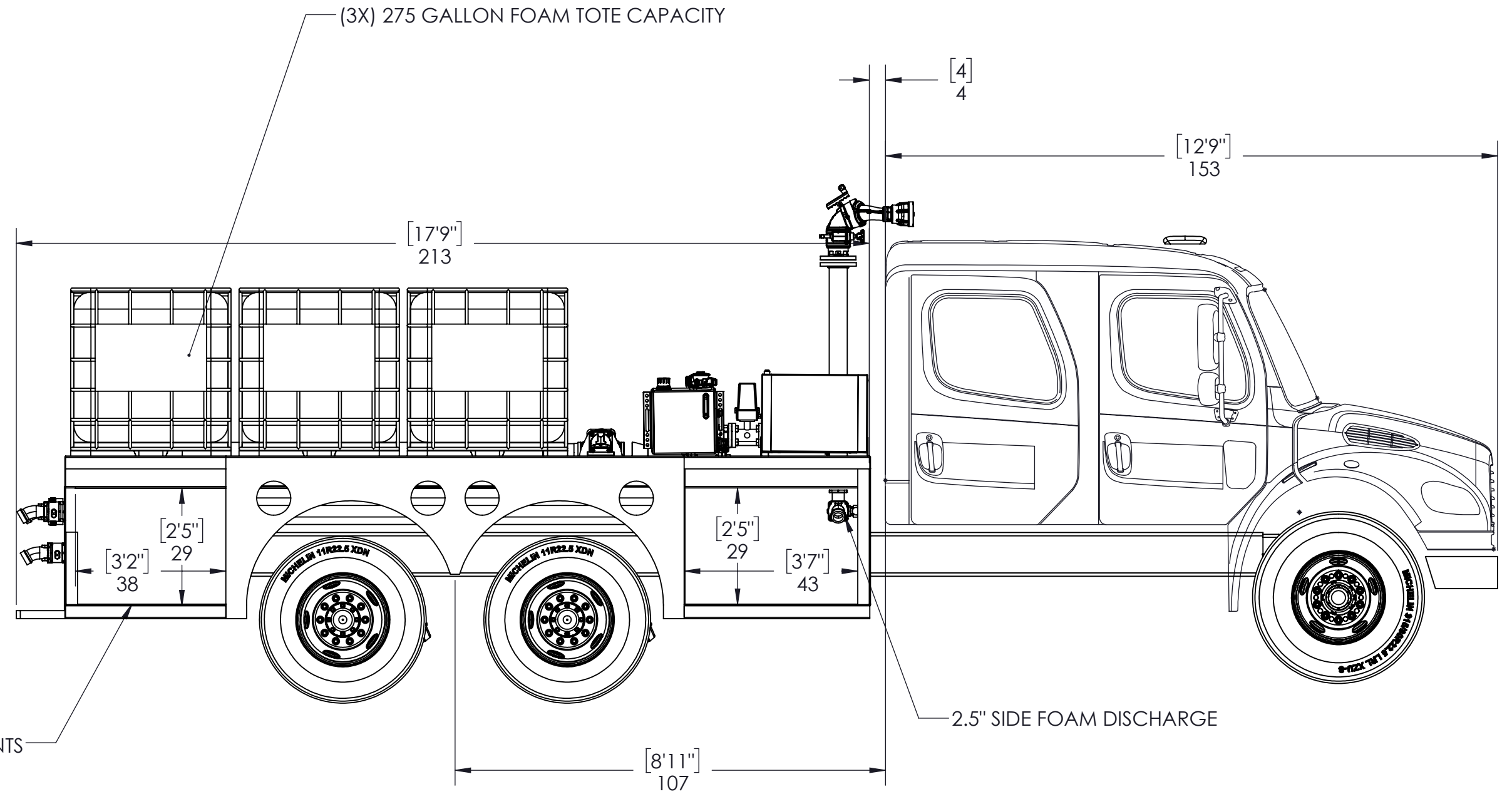
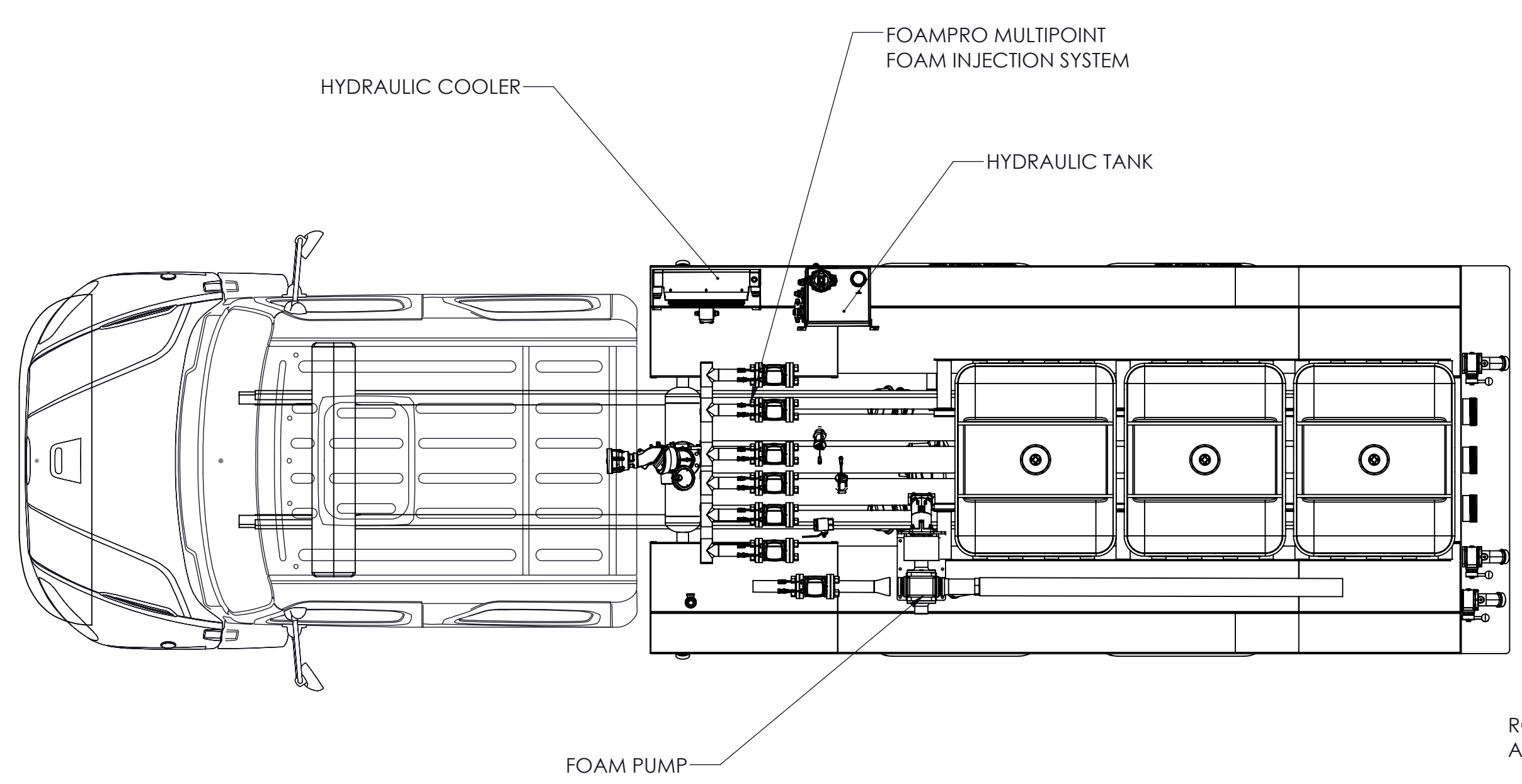


CAGE	DWG NO	900-1053-00-0		REV	1
REVISIONS					
ZONE	REV.	DESCRIPTION	DATE	APPROVED	
	-	INITIAL RELEASE	29OCT20	REN	
	A	ADDED DIMENSIONS FROM AXLE	17NOV20	REN	

NOTES:
FOR SALES REFERENCE ONLY



THE INFORMATION CONTAINED HEREIN IS PROPRIETARY DATA, AND IS NOT FOR DISSEMINATION OR DISCLOSURE, IN WHOLE OR IN PART, FOR ANY PURPOSE OTHER THAN THAT FOR WHICH IT IS SUBMITTED, EXCEPT AS AUTHORIZED IN WRITING BY US FIRE PUMP.

DELIVERY MUST CONFORM EXACTLY WITH DRAWING SPECIFICATIONS AND APPROVED Q.A. SAMPLES. ABSOLUTELY NO CHANGES ARE PERMITTED WITHOUT PRIOR APPROVAL BY US FIRE PUMP. THIS INCLUDES CHANGES TO: SOFTWARE, MATERIALS, INTERNAL COMPONENTS, MANUFACTURING PROCESSES.

INCH

PROJECT		R3156			
DO NOT SCALE DRAWING					
APPROVALS		DATE		GENERAL ARRANGEMENT - HARRIS COUNTY FOAM TENDER	
DRAWN		29OCT20			
CHECKED		29OCT20			
DESIGNER		29OCT20			
APPROVED		29OCT20		SIZE	D
				CAGE CODE	-
				DWG NO	900-1053-00-0
				REV	-
				SCALE	
				RELEASE DATE	
				WEIGHT	
				LSB	
				SHEET	1 of 1