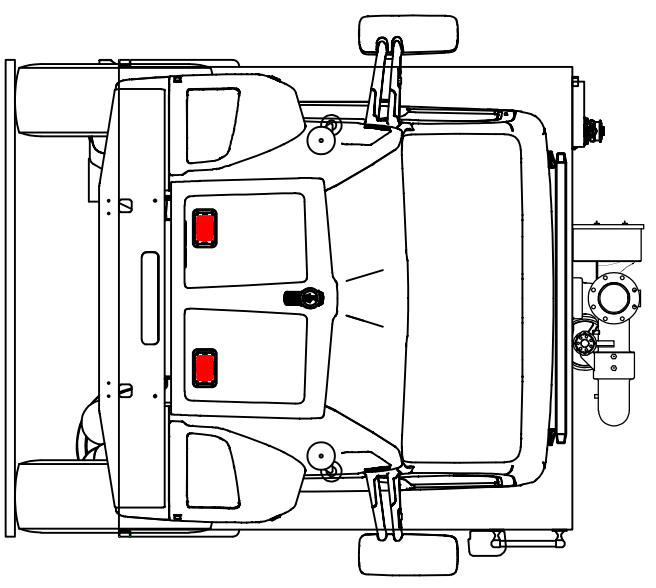
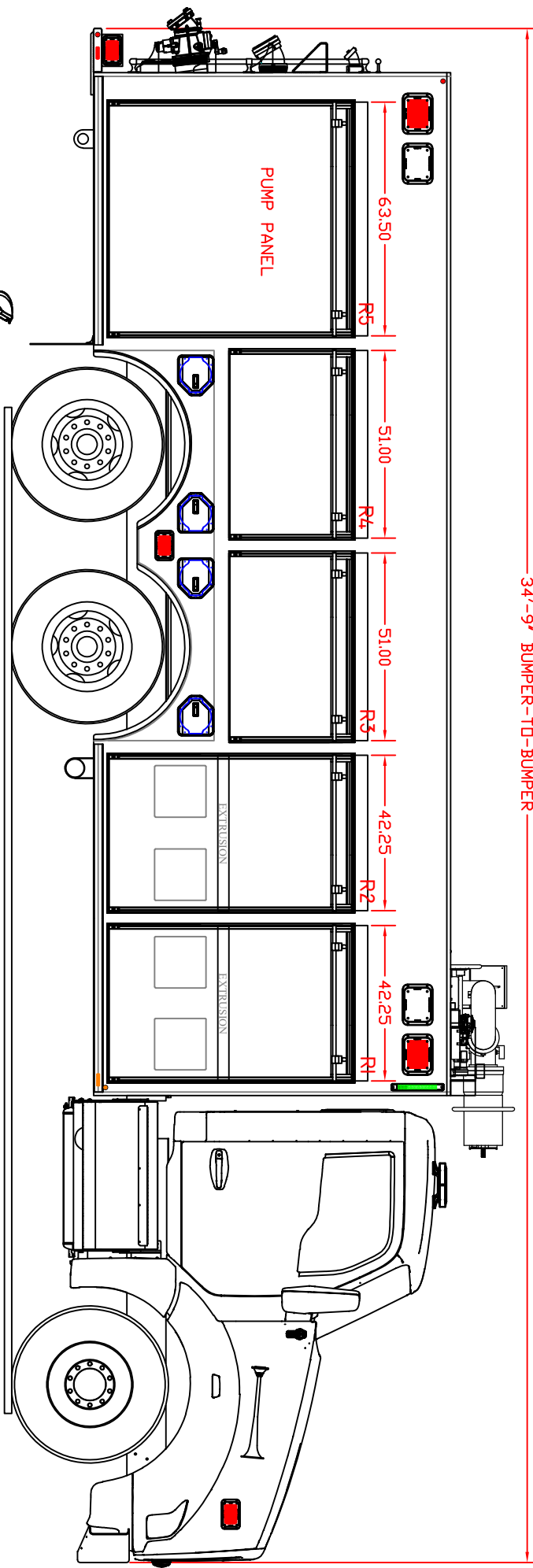


34'-9" BUMPER-TO-BUMPER



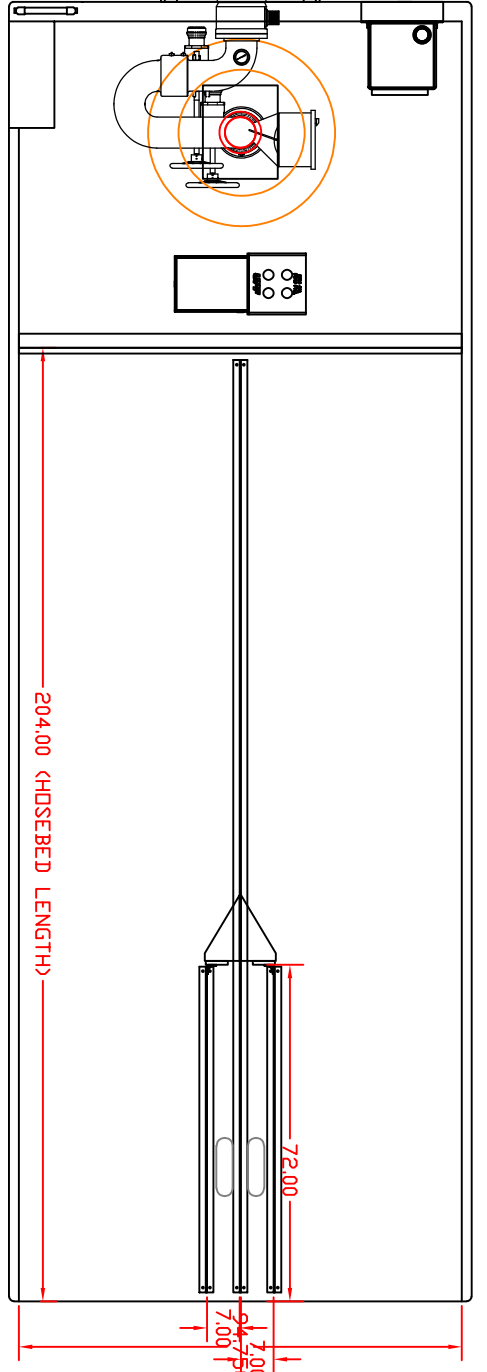
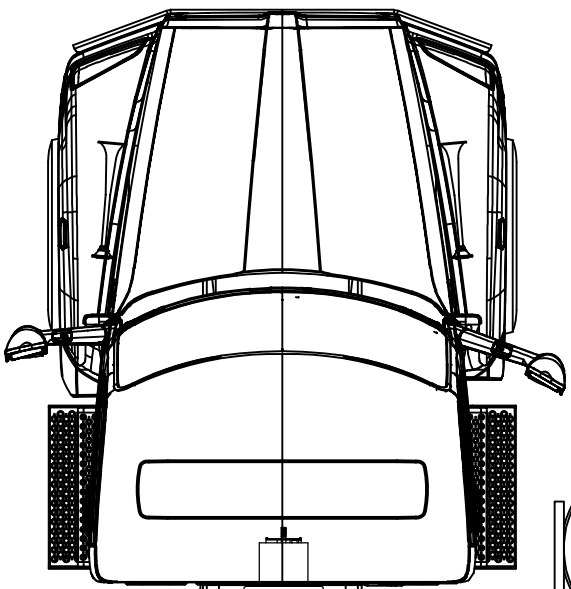
CUSTOMER ACCEPTANCE

NAME: _____

TITLE: _____

DATE: _____

THIS DRAWING IS FOR VISUAL REFERENCE ONLY. THE SPECIFICATIONS SHALL PREVAIL OVER THE DRAWING FOR ANY DISCREPANCIES BETWEEN THE DRAWING AND SPECIFICATIONS. NOT ALL DETAILS ARE NOTED OR SHOWN.



	INTERIOR	OPENING
L1	61.50W X 70.25H X 15/28D	59.50W X 60.875H
L2/L3	106.00W X 37.50H X 15D	49.00W X 28.125H
L4	63.50W X 70.25H X PUMP PANEL	61.50W X 60.875H
R1	42.25W X 70.25H X 15/28D	40.25W X 60.875H
R2	42.25W X 70.25H X 15/28D	40.25W X 60.875H
R3/R4	106.00W X 37.50H X 15D	49.00W X 28.125H
R5	63.50W X 70.25H X PUMP PANEL	61.50W X 60.875H

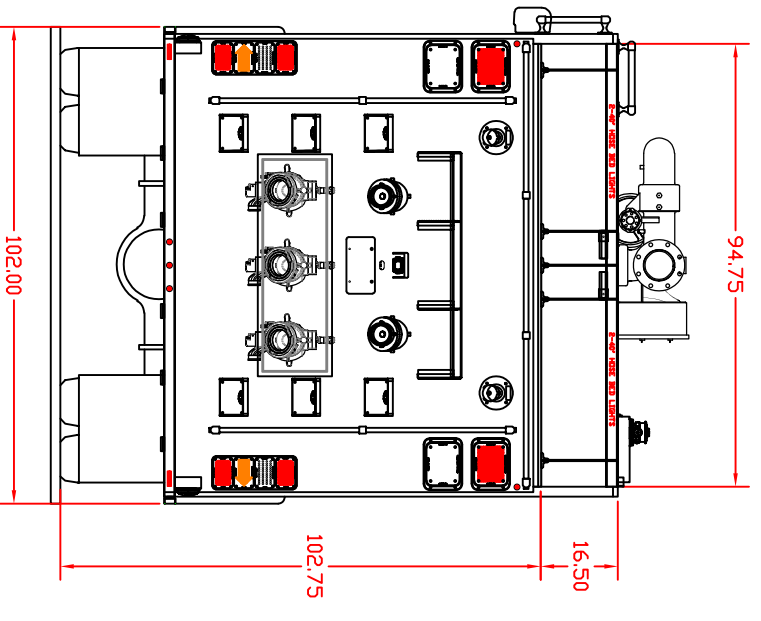
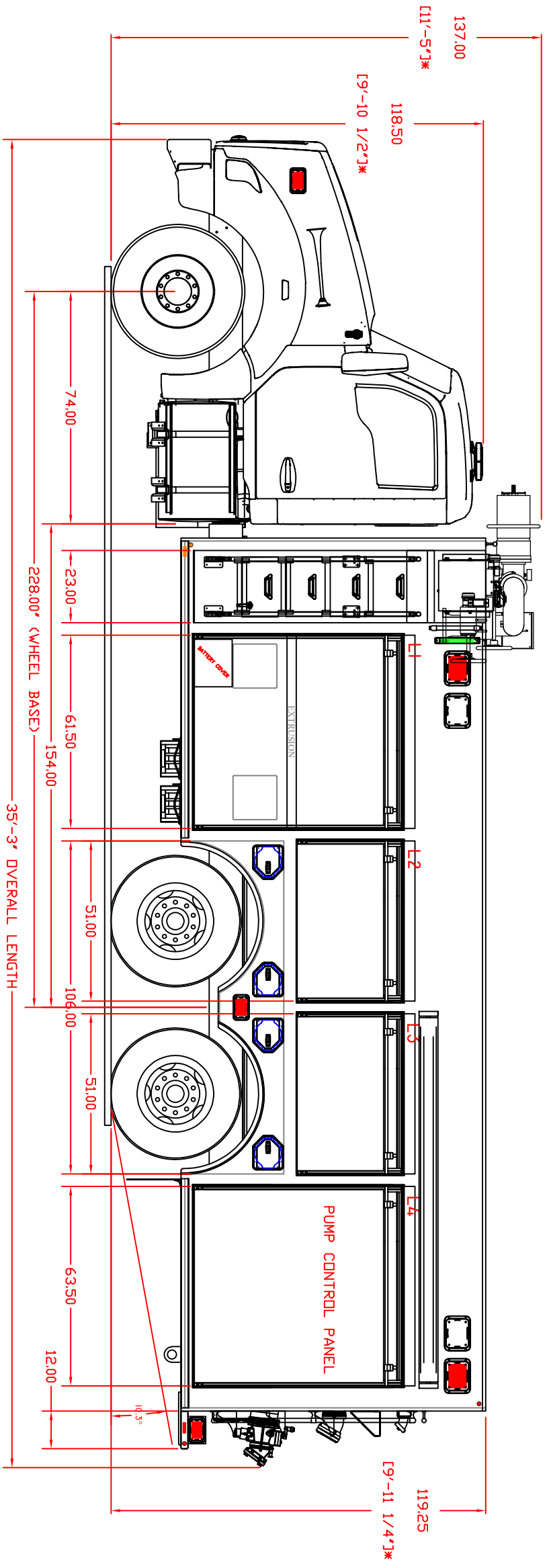
US FIRE APPARATUS

JOB NO.: FT1026

COMMERCIAL SUPER PUMPER FOAM UNIT

4,000 GPM WATEROUS PUMP

2,000 GALLON FOAM TANK



*HEIGHT COULD VARY +/- 2" BASED ON LOADING OF VEHICLE