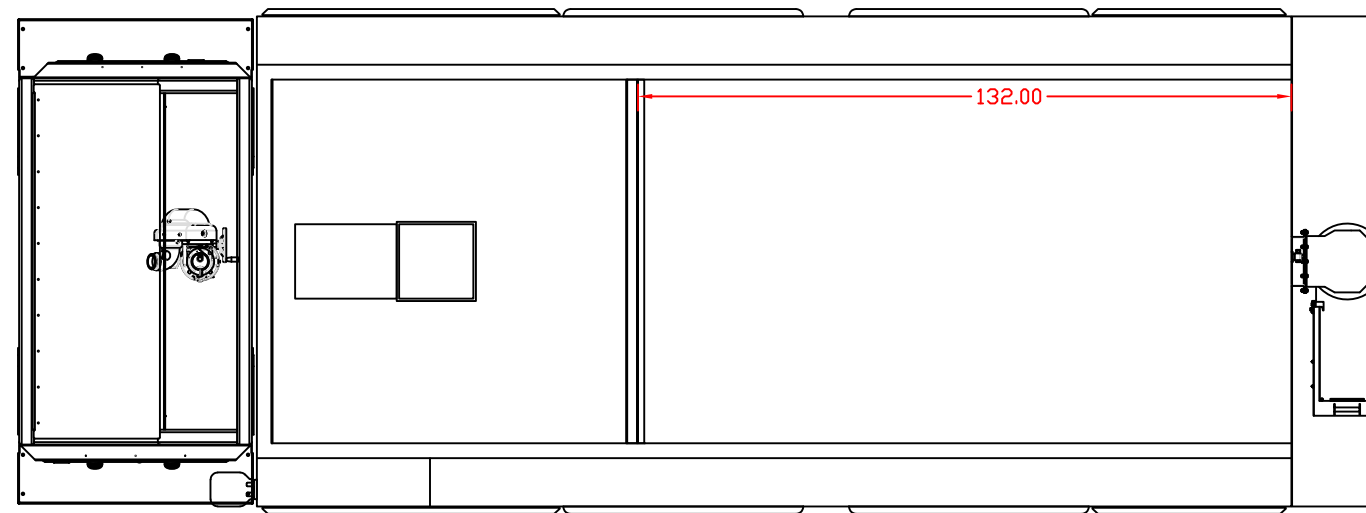
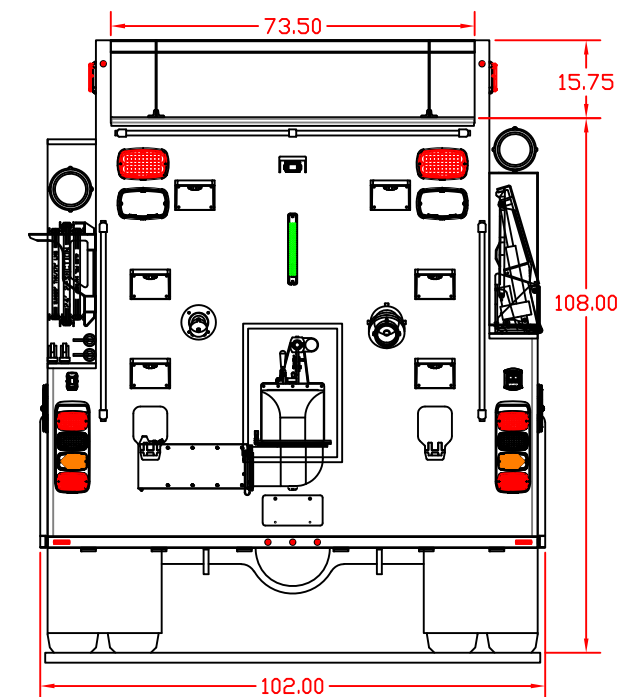
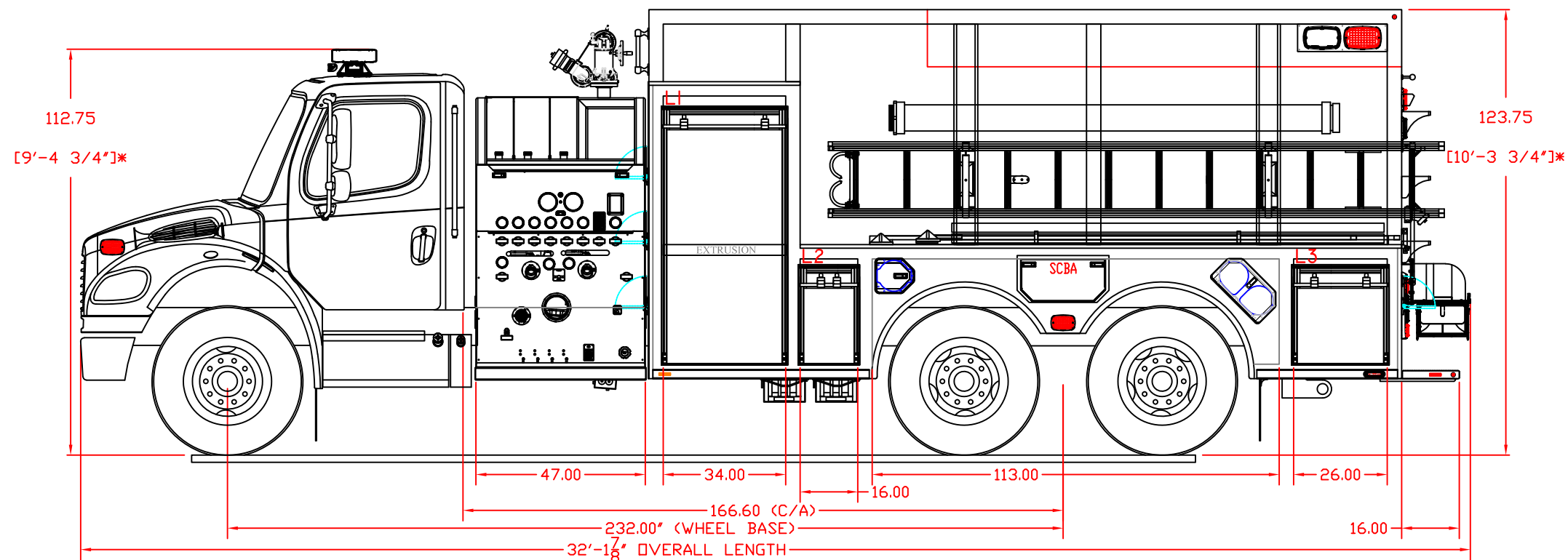


**JOB NO.: FT1081**  
**1,500 GPM HALE QMAX PUMP**  
**3,000 GALLON WATER TANK**

CUSTOMER ACCEPTANCE	
NAME:	_____
TITLE:	_____
DATE:	_____
THIS DRAWING IS FOR VISUAL REFERENCE ONLY. THE SPECIFICATIONS SHALL PREVAIL OVER THE DRAWING FOR ANY DISCREPANCIES BETWEEN THE DRAWING AND SPECIFICATIONS. NOT ALL DETAILS ARE NOTED OR SHOWN.	



	INTERIOR	OPENING
L1	34W X 74.25H X 12/28D	32.00W X 64.875H
L2	16W X 29H X 28D	14.00W X 20.875H
L3	26W X 29H X 28D	24.00W X 20.875H
R1	54W X 35H X 28D	52.00W X 26.375H
R2	26W X 35H X 28D	24.00W X 26.375H



\*HEIGHT COULD VARY +/- 2" BASED ON LOADING OF VEHICLE