

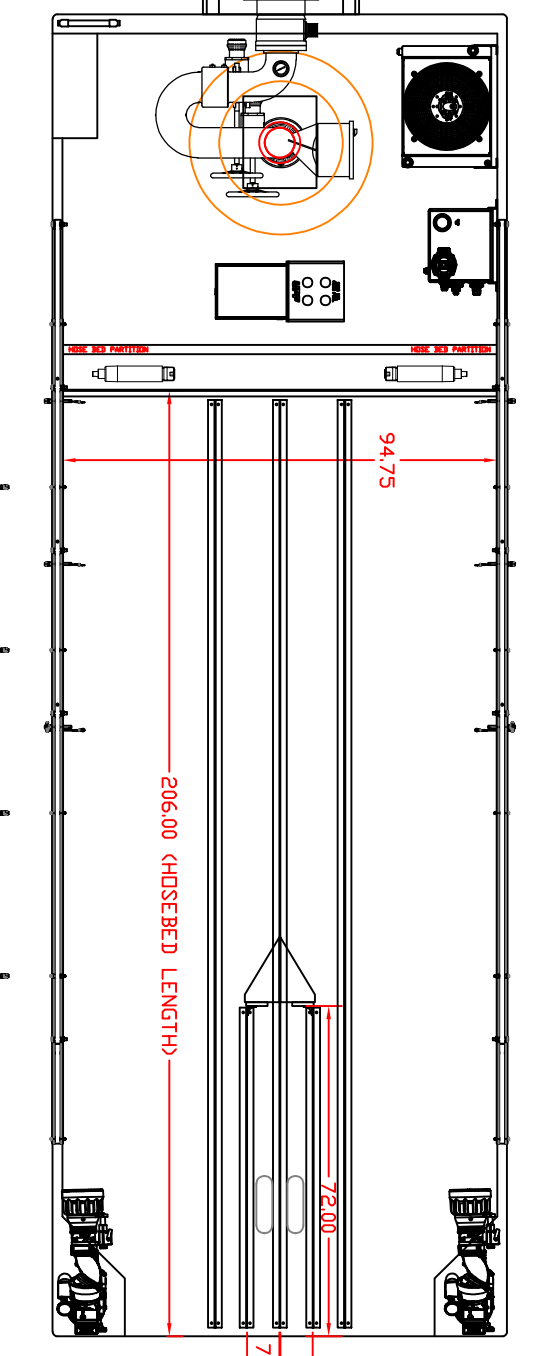
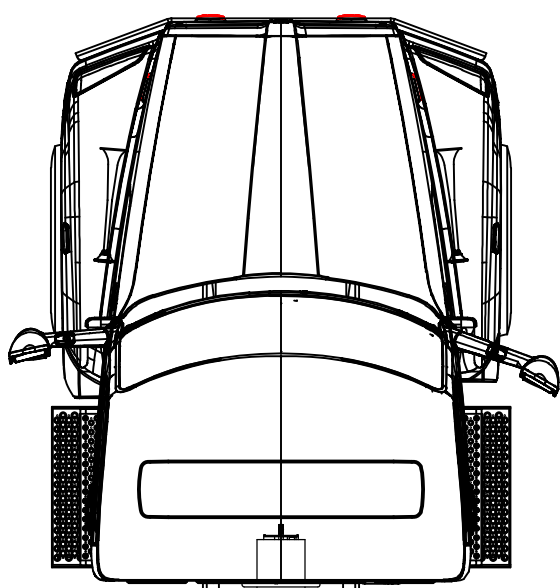
CUSTOMER ACCEPTANCE

NAME: _____

TITLE: _____

DATE: _____

THIS DRAWING IS FOR VISUAL REFERENCE ONLY. THE SPECIFICATIONS SHALL PREVAIL OVER THE DRAWING FOR ANY DISCREPANCIES BETWEEN THE DRAWING AND SPECIFICATIONS. NOT ALL DETAILS ARE NOTED OR SHOWN.

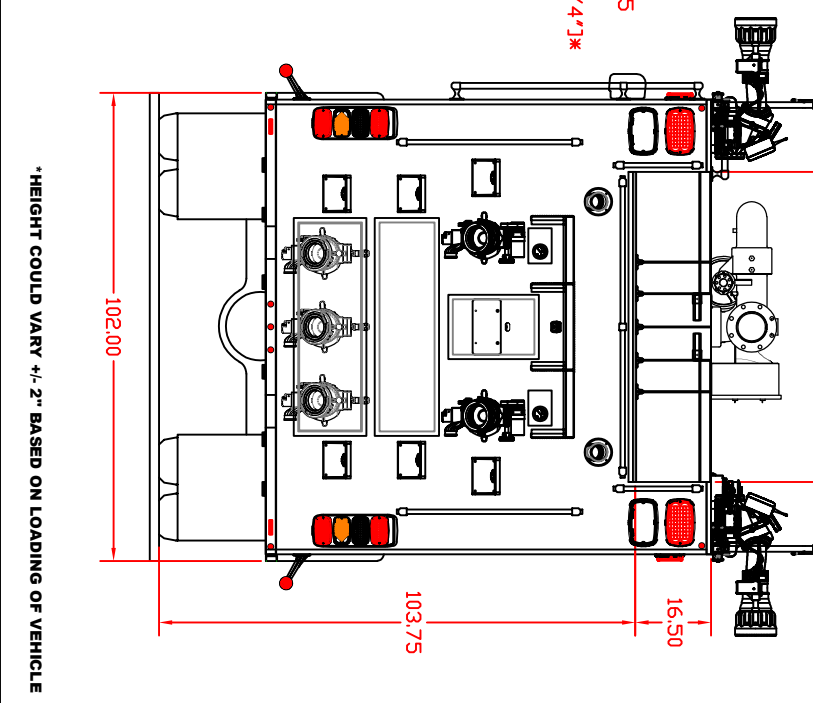
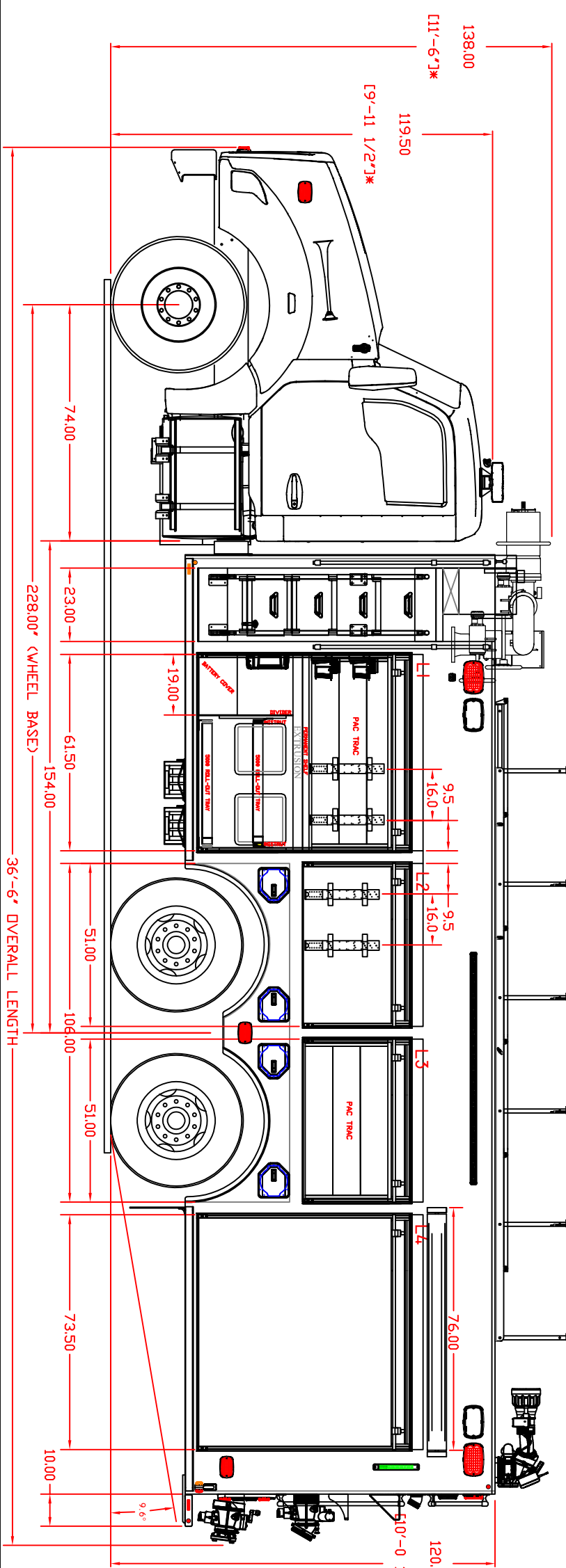


	INTERIOR	OPENING
L1	61.50W X 70.25H X 15/28D	59.50W X 60.875H
L2/L3	106.00W X 37.50H X 15D	49.00W X 28.125H
L4	73.50W X 70.25H X PUMP PANEL	71.50W X 60.875H
R1	40.25W X 70.25H X 15/28D	38.25W X 60.875H
R2	40.25W X 70.25H X 15/28D	38.25W X 60.875H
R3/R4	106.00W X 37.50H X 15D	49.00W X 28.125H
R5	73.50W X 70.25H X PUMP PANEL	71.50W X 60.875H

US FIRE APPARATUS

JOB NO.: FT11118

BASF
3,000 GPM HALE RME PUMP
2,000 GALLON FOAM TANK



*HEIGHT COULD VARY +/- .2\"/>