

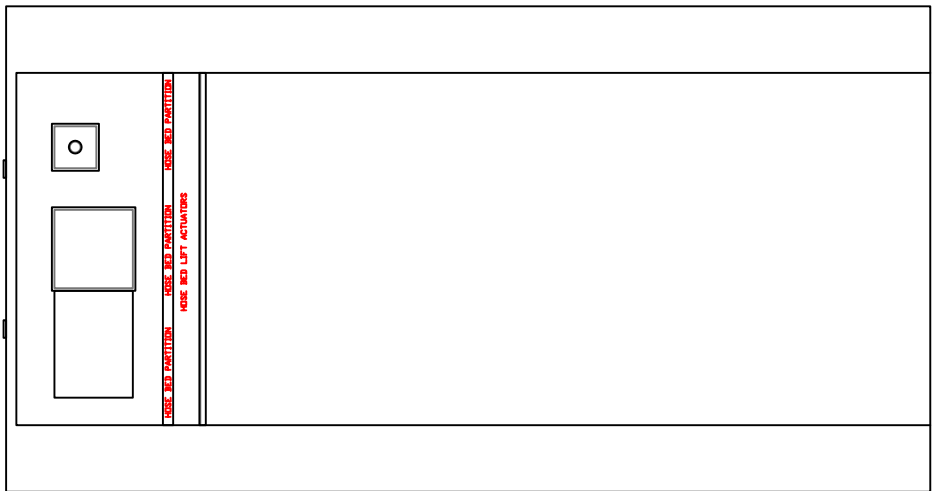
CUSTOMER ACCEPTANCE

NAME: _____

TITLE: _____

DATE: _____

THIS DRAWING IS FOR VISUAL REFERENCE ONLY. THE SPECIFICATIONS SHALL PREVAIL OVER THE DRAWING FOR ANY DISCREPANCIES BETWEEN THE DRAWING AND SPECIFICATIONS. NOT ALL DETAILS ARE NOTED OR SHOWN.

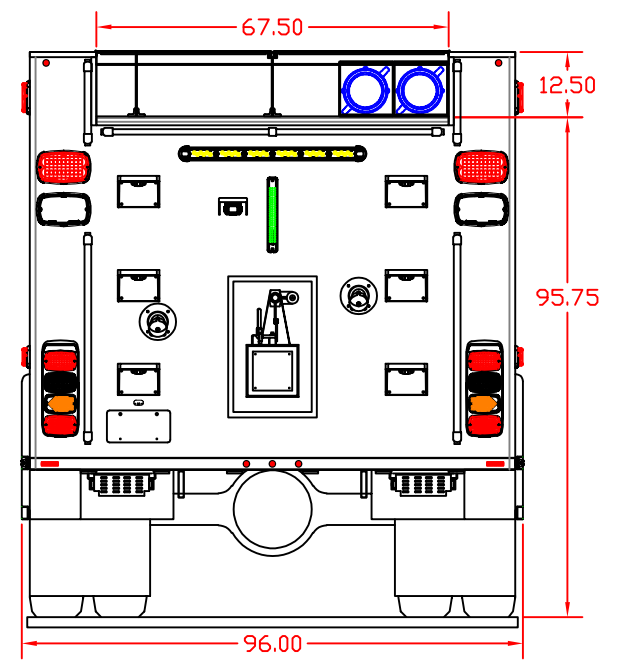
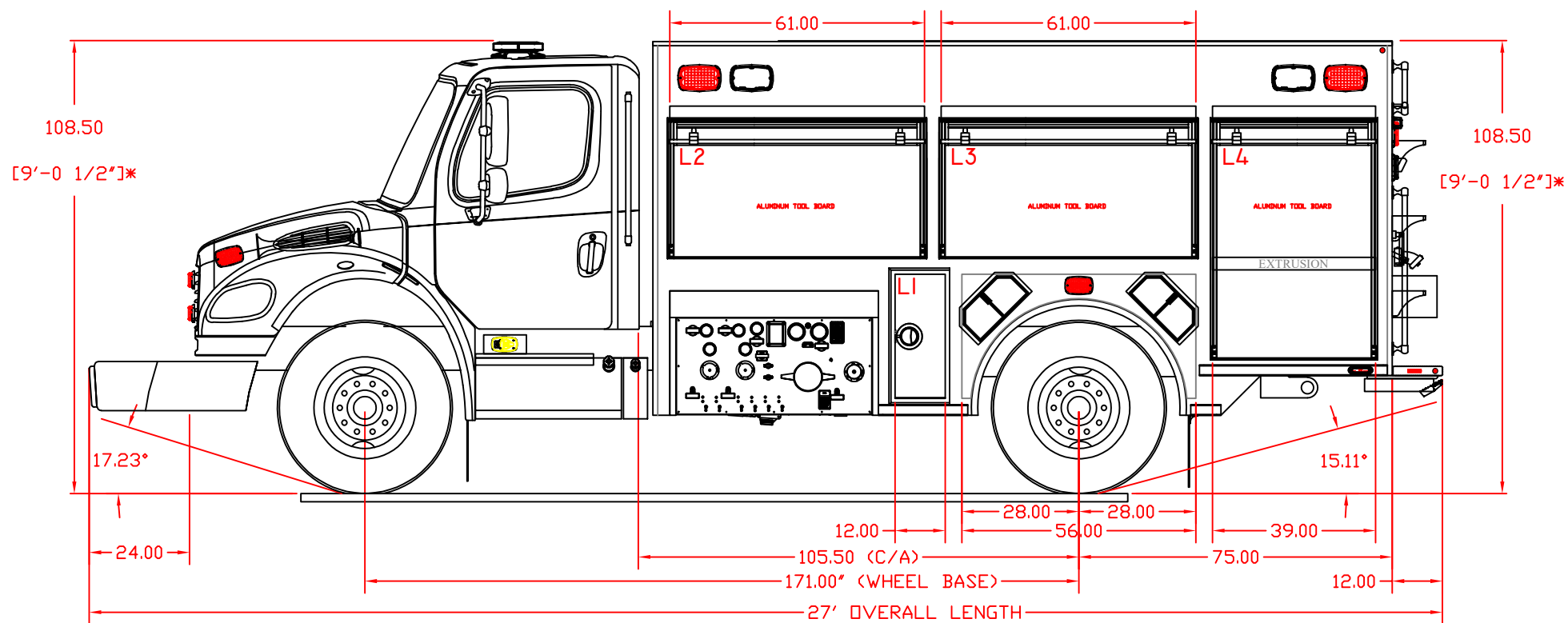


	INTERIOR	OPENING
L1	12W X 29.50H X 25D	12.00W X 29.50H
L2	61W X 36.00H X 12D	59.00W X 26.625H
L3	61W X 36.00H X 12D	59.00W X 26.625H
L4	39W X 60.25H X 12/25D	37.00W X 50.875H
R1	66W X 29.50H X 25D	64.00W X 21.375H
R2	39W X 20.00H X 25D	37.00W X 11.875H



TIMBERCREEK CANYON VFD
JOB NO.: FT-####
750 GPM HALE PTO PUMP
1,750 GALLON WATER TANK
15 GALLON FOAM CELL

ew



*HEIGHT COULD VARY +/- 2" BASED ON LOADING OF VEHICLE